

Adaptor, adapter for tool presetting devices

Technical features

Accessory category

Adjustment & installation aids

TH accessories category

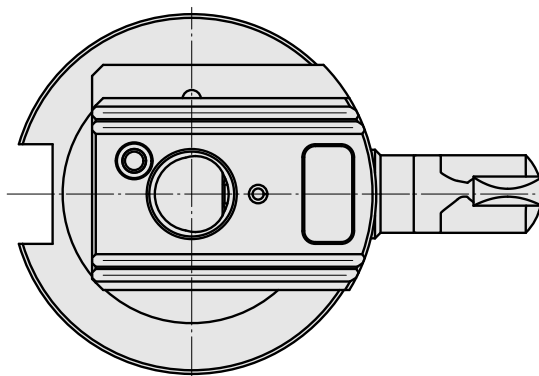
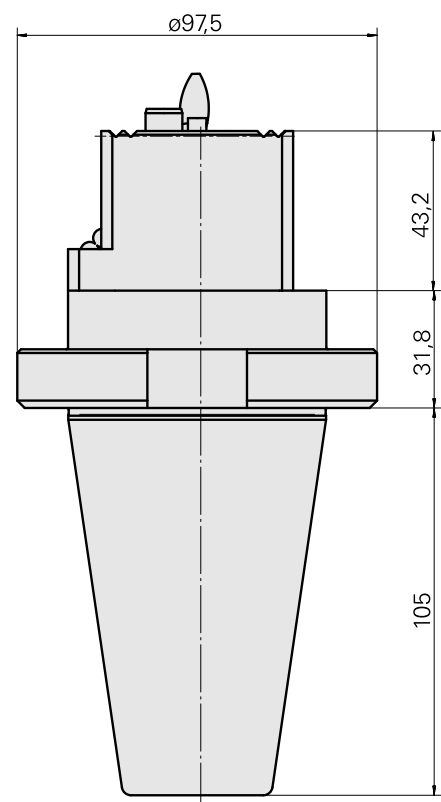
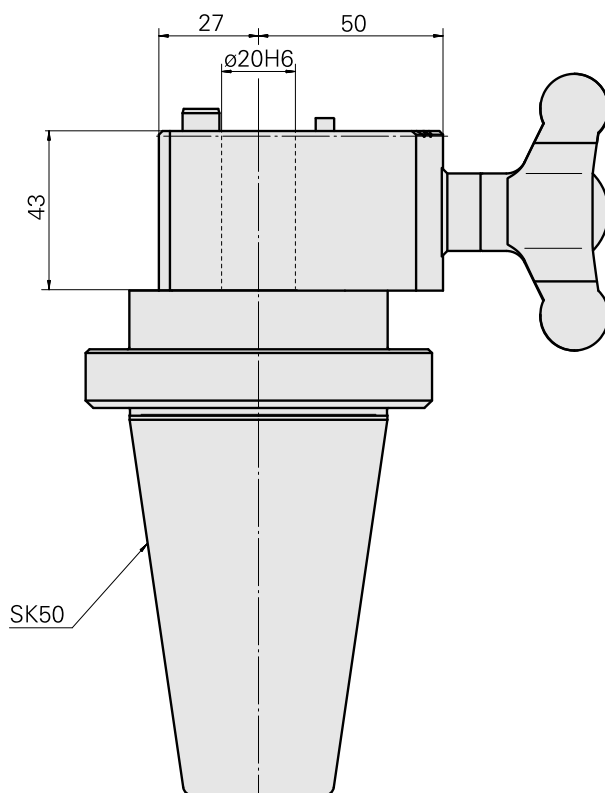
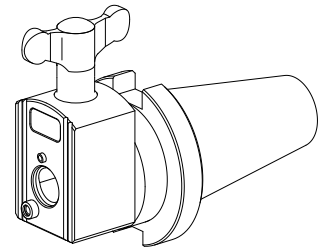
Adapter for presetting units

Mounting

SK50

Tool mounting

VDI 20



11024911
W9990363

Documents

No downloads available for this product